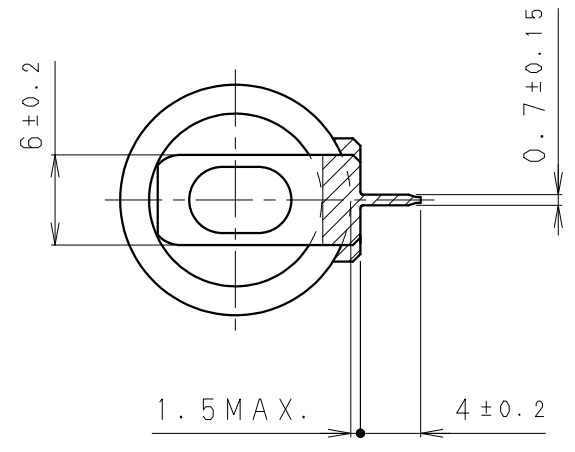
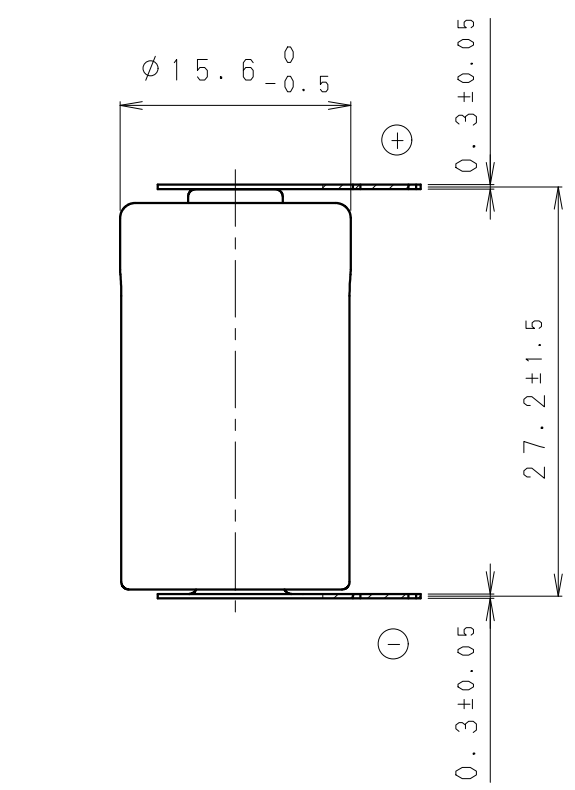
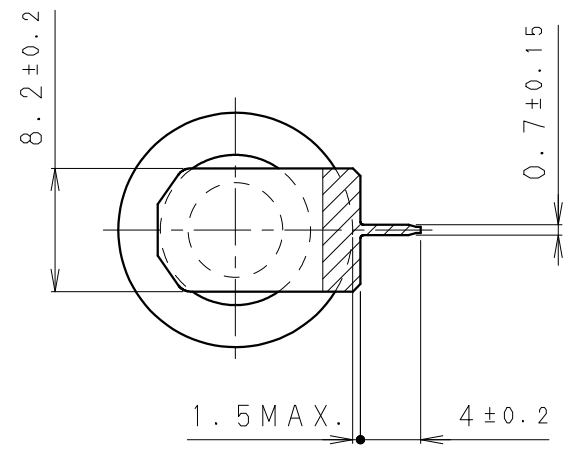


- NOTE
1. NOMINAL VOLTAGE: 3V
 2. TAB WELDING STRENGTH OVER 30N
 3. TAB MATERIAL: STAINLESS STEEL WITH TIN PLATING ☒
 4. () : REFERENCE DIMENSION AND ANGLE

PRODUCT NO.	CR-2ZLE2	SCALE	2:1
DRAWING NO.	PD-CR-2ZLE2-G		UNIT: mm



- NOTE
1. NOMINAL VOLTAGE: 3V
 2. TAB WELDING STRENGTH OVER 30N
 3. TAB MATERIAL: STAINLESS STEEL WITH TIN PLATING ☒
 4. () : REFERENCE DIMENSION AND ANGLE

PRODUCT NO.	CR-2ZLE5	SCALE	2:1
DRAWING NO.	PD-CR-2ZLE5-G	UNIT: mm	